

ALGER

Reduce-Backflow-Detachable NG Tube

- Reduce the chance of pulling out the Nasogastric Tube
- Maintain patient dignity
- Enable easy feeding
- Reduce food reflux from NG Tube
- **Invention Patent No. I761220**



ALGER

WE LOVE AND WE CARE

Drawbacks of Existing Nasogastric Tubes

⌘ Photos of using a Nasogastric Tube.



1	The Nasogastric Tube extending from the nasal cavity is long and heavy. It can easily slip out due to patient agitation, turning one's head too quickly, or accidentally pulling on it!
2	When wearing a mask, the Nasogastric Tube will protrude from the mask (yellow dotted line in the picture above), which is not only unsightly, but also violates the dignity of the patient!
3	Patients feel uncomfortable when using a heavy Nasogastric Tube.

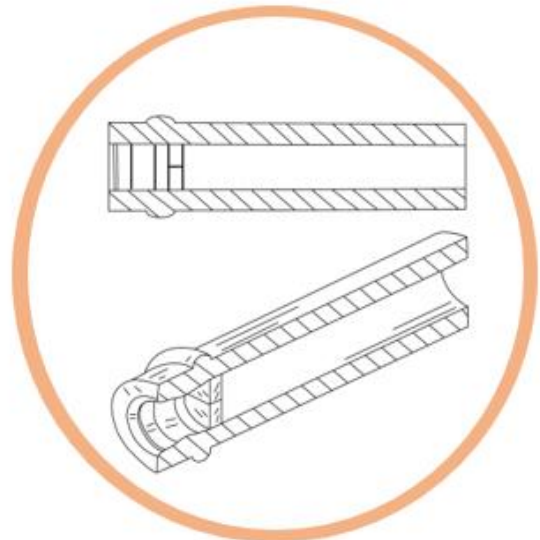
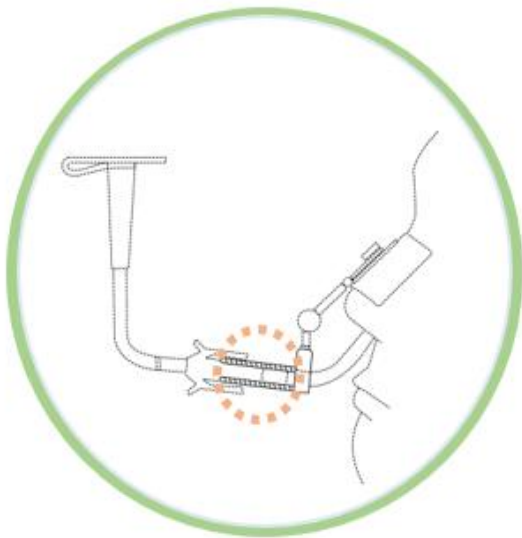
**Patient
Dignity**

Advantages of Alger's Nasogastric Tube

Features:

1. It is made of silicone--with moderate hardness and softness--and is suitable for insertion.
2. A patented Reduce-Backflow valve prevents backflow of liquid food or medicine remaining in the Nasogastric Tube. This can effectively reduce difficult cleanup after feeding by caregivers and reduce the chance of touching fluids.
3. Detachable design easily allows patients to wear a mask, and others will not know the patient is using a Nasogastric Tube, which can effectively maintain patient privacy.
4. Obtain invention and design patents in Taiwan!

Patented Reduce-Backflow valve:



Maintain Patient Dignity:



- ⌘ Patients can simply wear a mask, which can effectively maintain patient dignity.
- ⌘ The Nasogastric Tube extending from the nasal cavity is short; therefore, the tube will not slip out easily.



ALGER TECHNOLOGY CO., LTD.

4F-8, No. 99, Jingke S. Rd., Nantun Dist.,
408018 Taichung City, Taiwan(R.O.C.)

TEL : +886-4-2293-1111

FAX : +886-4-2292-6666

Contact us

sales@alger.com.tw