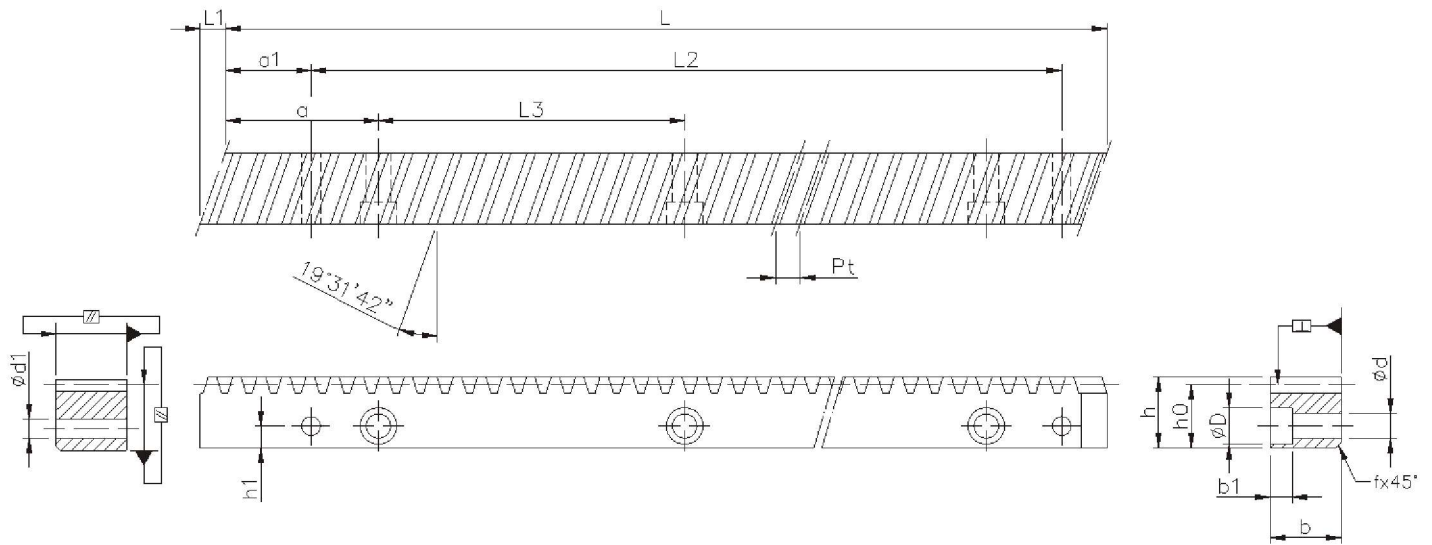


# 螺旋齒條尺寸 (模數2/3/4/5/6/8/10/12)

Dimensions of helical tooth rack (Module 2/3/4/5/6/8/10/12)



件號 Part No.	Pt	M	z	a	a1	b	b1	d	d1	D	f <sup>+0.5</sup>	h	h0	h1	L	L1	L2	L3	孔數 Hole	m [kg]
RH112005A	6.67	2	75	62.5	31.7	24	7	7	5.7	11	2	24	22	8	500	8.5	436.6	125	4	2.1
RH112010A	6.67	2	150	62.5	31.7	24	7	7	5.7	11	2	24	22	8	1000	8.5	936.6	125	8	4.1
RH113005A	10	3	50	62.5	35	29	9	10	7.7	15	2	29	26	9	500	10.3	430	125	4	3.0
RH113010A	10	3	100	62.5	35	29	9	10	7.7	15	2	29	26	9	1000	10.3	930	125	8	5.9
RH114005A	13.33	4	38	62.5	33.3	39	9	10	7.7	15	3	39	35	12	506.67	13.8	433	125	4	5.4
RH114010A	13.33	4	75	62.5	33.3	39	9	10	7.7	15	3	39	35	12	1000	13.8	933.4	125	8	10.7
RH115005A	16.67	5	30	62.5	37.5	49	13	14	11.7	20	3	39	34	12	500	17.4	425	125	4	6.5
RH115010A	16.67	5	60	62.5	37.5	49	13	14	11.7	20	3	39	34	12	1000	17.4	925	125	8	13.0
RH116005A	20	6	25	62.5	37.5	59	17	18	15.7	26	3	49	43	16	500	20.9	425	125	4	10.0
RH116010A	20	6	50	62.5	37.5	59	17	18	15.7	26	3	49	43	16	1000	20.9	925	125	8	19.8
RH118005A	26.67	8	18	60	120	79	21	22	19.7	33	3	79	71	25	480	28	240	120	4	21.3
RH118010A	26.67	8	36	60	120	79	21	22	19.7	33	3	79	71	25	960	28	720	120	8	42.7
RH11A005A	33.33	10	15	62.5	125	99	32	33	19.7	48	3	99	89	32	500	35.1	250	125	4	34.0
RH11A010A	33.33	10	30	62.5	125	99	32	33	19.7	48	3	99	89	32	1000	35.1	750	125	8	68.0
RH11A210A	40	12	25	62.5	125	120	38	39	24.7	58	4	120	108	38	1000	42.56	750	125	8	84.5

Pt=節距  
Transverse/tooth

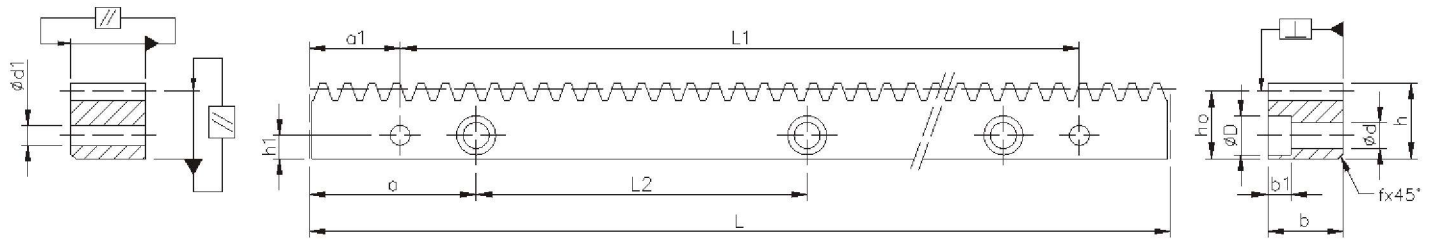
= 6.66668.....M2  
=10.00002.....M3  
=13.33335.....M4  
=16.66669.....M5  
=20.00003.....M6  
=26.66670.....M8  
=33.33339.....M10  
=40.00006.....M12

M=模數  
Module  
Z=齒數  
Number of teeth

品質 Quality : 6h23  
材質 Material : C45K DIN 1.0503  
外觀 Profile : 所有面向均研磨 all faces ground  
齒部 Teeth : 經硬化並研磨, 壓力角  $\alpha = 20^\circ$   
Hardened and ground/pressure angle  $\alpha = 20^\circ$   
螺旋方向右旋, 螺旋角  $19^\circ 31' 42''$   
Helical tooth system right/helix angle  $19^\circ 31' 42''$   
累積節距誤差GTf: 0.027/ 300 mm  
Cumulative pitch error GTf: 0.027/ 300 mm  
相鄰節距誤差fp(mm): 模數  $\leq 3$ ; 0.006 模數  $> 3$ ; 0.008  
Adjacent pitch error:fp(mm): Modul  $\leq 3$ ; 0.006 Modul  $> 3$ ; 0.008

# 正齒條尺寸

## Dimensions of Spur tooth rack



### (模數 2/3/4/5/6/8/10/12) Dimensions of spur tooth rack (Module 2/3/4/5/6/8/10/12)

件號 Part No.	Pt	M	z	a	a1	b	b1	d	d1	D	f <sup>+0.5</sup>	h	h0	h1	L	L1	L2	孔數 Hole	m [kg]
RS112005A	6.28	2	80	62.8	31.3	24	7	7	5.7	11	2	24	22	8	502.7	440.1	125.66	4	2.1
RS112010A	6.28	2	160	62.8	31.3	24	7	7	5.7	11	2	24	22	8	1005.3	942.7	125.66	8	4.2
RS113005A	9.42	3	54	63.6	34.4	29	9	10	7.7	15	2	29	26	9	508.9	440.1	127.23	4	3.0
RS113010A	9.42	3	108	63.6	34.4	29	9	10	7.7	15	2	29	26	9	1017.9	949.1	127.23	8	6.0
RS114005A	12.56	4	40	62.8	37.5	39	9	10	7.7	15	3	39	35	12	502.7	427.7	125.66	4	5.3
RS114010A	12.56	4	80	62.8	37.5	39	9	10	7.7	15	3	39	35	12	1005.3	930.3	125.66	8	10.6
RS115005A	15.71	5	32	62.8	30.1	49	13	14	11.7	20	3	39	34	12	502.6	442.4	125.66	4	6.7
RS115010A	15.71	5	64	62.8	30.1	49	13	14	11.7	20	3	39	34	12	1005.3	945.0	125.66	8	13.4
RS116005A	18.85	6	27	63.6	31.4	59	17	18	15.7	26	3	49	43	16	508.9	446.1	127.23	4	10.3
RS116010A	18.85	6	54	63.6	31.4	59	17	18	15.7	26	3	49	43	16	1017.8	955.0	127.23	8	20.5
RS118005A	25.13	8	20	62.8	26.7	79	21	22	19.7	33	3	79	71	25	502.7	449.3	125.66	4	22.1
RS118010A	25.13	8	40	62.8	26.7	79	21	22	19.7	33	3	79	71	25	1005.3	952.0	125.66	8	44.3
RS11A005A	31.42	10	16	62.8	125.2	99	32	33	19.7	48	3	99	89	32	502.7	252.3	125.66	4	34.8
RS11A010A	31.42	10	32	62.8	125.2	99	32	33	19.7	48	3	99	89	32	1005.3	755.0	125.66	8	69.5
RS11A210A	37.70	12	27	63.6	127.2	120	38	39	24.7	58	4	120	108	38	1017.9	763.5	127.23	8	86.5

### (CP 5/7.5/10/16/20/25) Dimensions of spur tooth rack (CP 5/7.5/10/16/20/25)

件號 Part No.	M	CP	z	a	a1	b	b1	d	d1	D	f <sup>+0.5</sup>	h	h0	h1	L	L1	L2	孔數 Hole	m [kg]
RC111505A	1.59155	5	100	62.5	35	19	7	7	5.7	11	2	19	17.41	7	500	430	125	4	1.2
RC111510A	1.59155	5	200	62.5	35	19	7	7	5.7	11	2	19	17.41	7	1000	930	125	8	2.5
RC112305A	2.38732	7.5	67	63.7	35	24	7	7	5.7	11	2	24	21.61	8	502.5	432.5	125	4	2.1
RC112310A	2.38732	7.5	134	63.7	35	24	7	7	5.7	11	2	24	21.61	8	1005	935	125	8	4.2
RC133105A	3.1831	10	50	62.5	35	29	9	10	7.7	15	2	29	25.82	11.5	500	430	125	4	3.1
RC133110A	3.1831	10	100	62.5	35	29	9	10	7.7	15	2	29	25.82	11.5	1000	930	125	8	6.2
RC135110A	5.09296	16	63	64.5	35	49	13	14	11.7	20	3	49	43.91	24	1008	938	125	8	13.2
RC136310A	6.3662	20	50	62.5	35	59	17	18	15.7	26	3	59	52.63	29	1000	930	125	8	20
RC137910A	7.95775	25	40	62.5	120	79	21	22	19.7	33	3	79	71.04	39	1000	760	125	8	44

Pt.CP=節距  
Pt.CP=transverse/tooth

M=模數  
M=Module

Z=齒數  
Z=Number of teeth

品質：6h23  
Quality:6h25  
材質：C45K DIN 1.0503  
Material:C45K DIN 1.0503  
外觀：所有面向均研磨  
Profile:all faces ground  
齒部：經硬化並研磨，壓力角 $\alpha=20^\circ$ 。  
Teeth:hardened and ground /pressure angle  $\alpha=20^\circ$

累積節距誤差GTf: 0.027/ 300 mm  
Cumulative pitch error  
GTf:0.027/300mm

相鄰節距誤差fp(mm)：  
模數  $\leq 3$  ; 0.006 模數  $> 3$  ; 0.008  
Adjacent pitch error:fp(mm) :  
Modul  $\leq 3$  ; 0.006 Modul  $> 3$  ; 0.008